



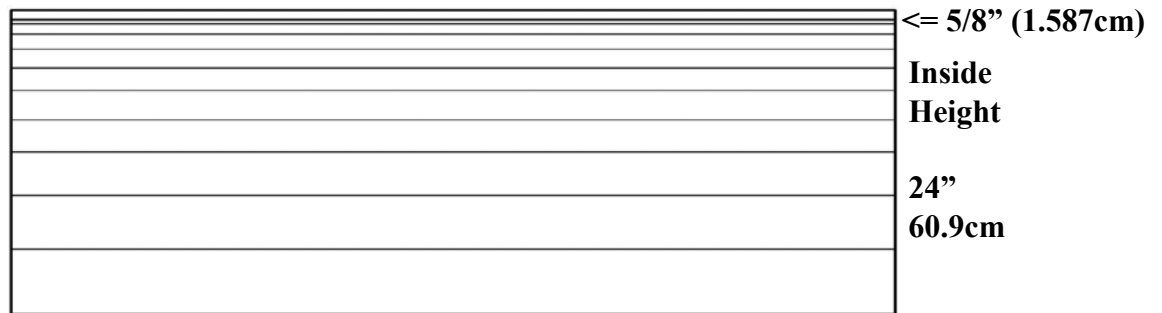
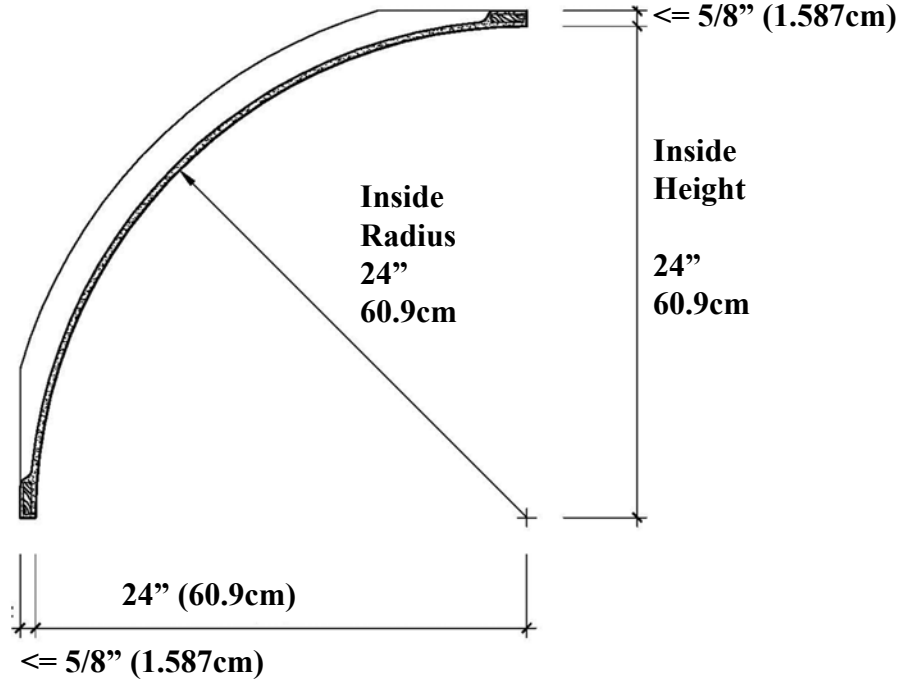
Bulkhead

GRG

Glass Fiber Re-enforce Gypsum

IPVLT118-GRG

Smooth



Section Lengths 8 Feet (2.4384m)

** assembly required, all measurements are approximate only
Secure with Screws, Tape & Mud Seams*

Quantity: _____

Name: _____



www.imperialproductions.com

Imperial Productions & Distribution Inc. sales@imperialproductions.com

1-800-399-7585, Fax 888-244-1083 copyright 2011 All Rights Reserved

**New York
Toronto**