



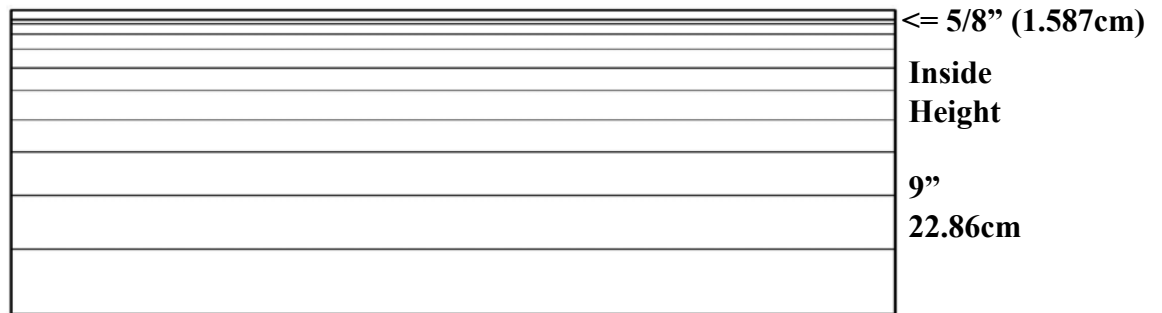
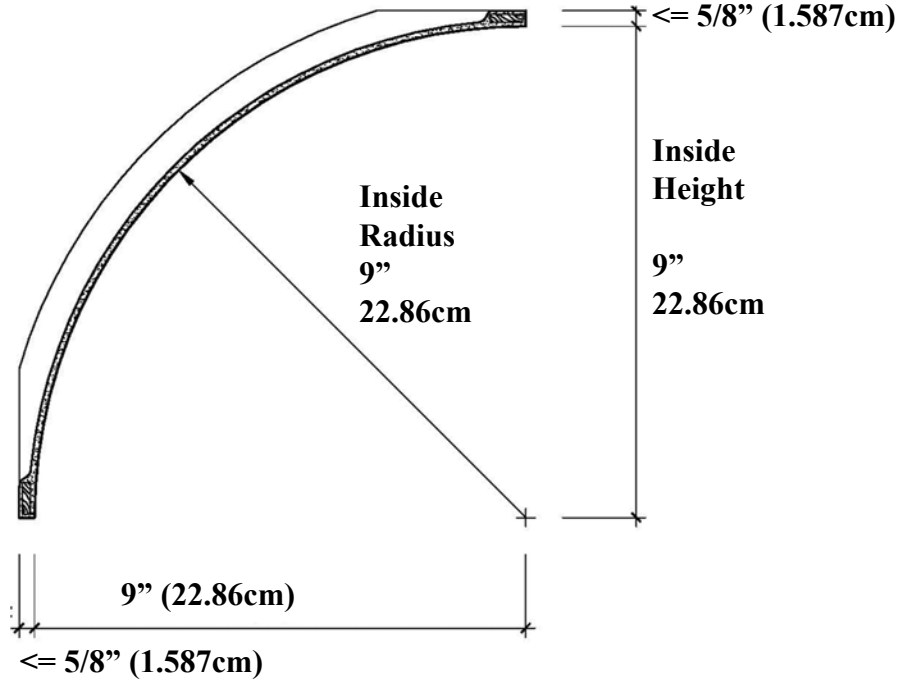
# Bulkhead

# GRG

Glass Fiber Re-enforce Gypsum

# IPVLT112-GRG

# Smooth



Section Lengths 8 Feet (2.4384m)

*\* assembly required, all measurements are approximate only  
Secure with Screws, Tape & Mud Seams*

Quantity: \_\_\_\_\_

Name: \_\_\_\_\_



[www.imperialproductions.com](http://www.imperialproductions.com)

Imperial Productions & Distribution Inc. sales@imperialproductions.com  
1-800-399-7585, Fax 888-244-1083 copyright 2011 All Rights Reserved

New York  
Toronto