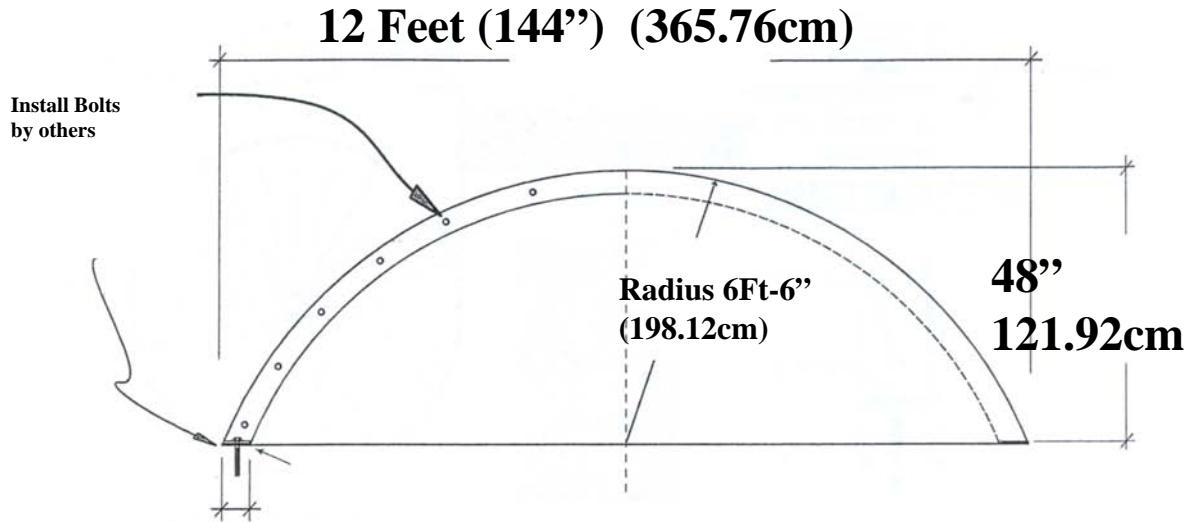


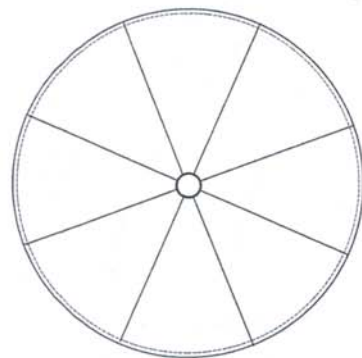
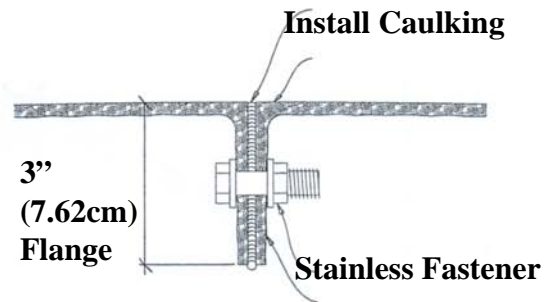


# Exterior Dome IPDM5062

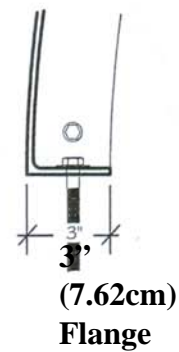
Martin Richards Design  
COLLECTION



**3'' (7.62cm) Flange**



**8 Pieces**



**Weight 700lbs (317.51kg)**

\* All specifications subject to change without notice, Final products & Measurements may vary from this brochure



**Imperial Productions®**

1-800-399-7585

Imperial Productions & Distribution Inc Toronto / New York

email sales@imperialproductions.com copyright 2016 MRDCI All Rights Reserved

JUL-20